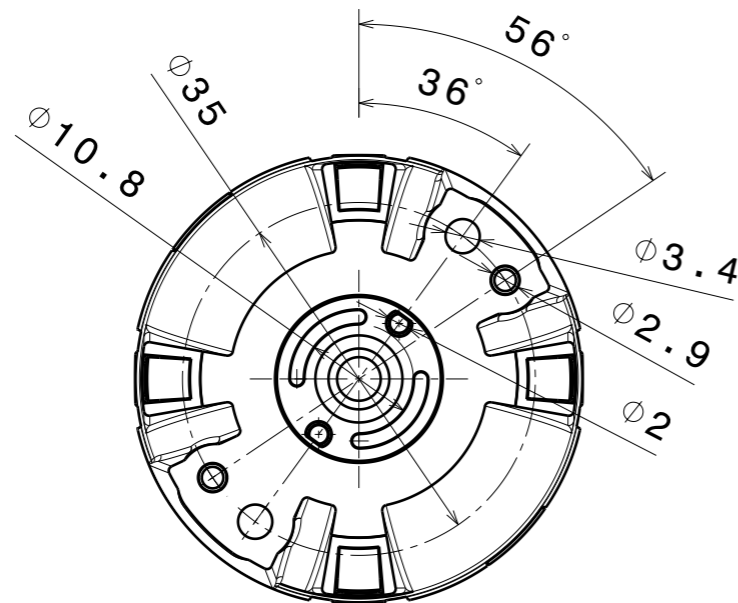


Isometric view  
Scale: 4:3



CN15529\_GABRIELLA-45-S

**COMPONENTS**

INDEX	PART	TYPE	MATERIAL	COLOR / COATING
1	C15927_GABRIELLA-45-S	Lens	PMMA	clear
2	CA15528_GABRIELLA-45-HLD	Holder	PC	black

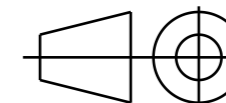
**MECHANICAL DRAWING**

PRODUCT  
**GABRIELLA**

**LEDiL<sup>®</sup>**

Plastic moulding general tolerances according to DIN 16901-130 and applies if not otherwise shown in the drawing.  
Silicone moulding general tolerances according to ISO 3302-1 Class M3 and applies if not otherwise shown in the drawing.

FIRST ANGLE PROJECTION:



This drawing is the property of LEDiL Oy. It may not be copied or otherwise distributed without prior written permission from LEDiL Oy.

SCALE 4:3

WEIGHT 34,7 g

A3 SHEET 1/1